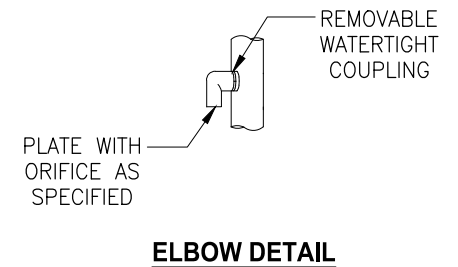
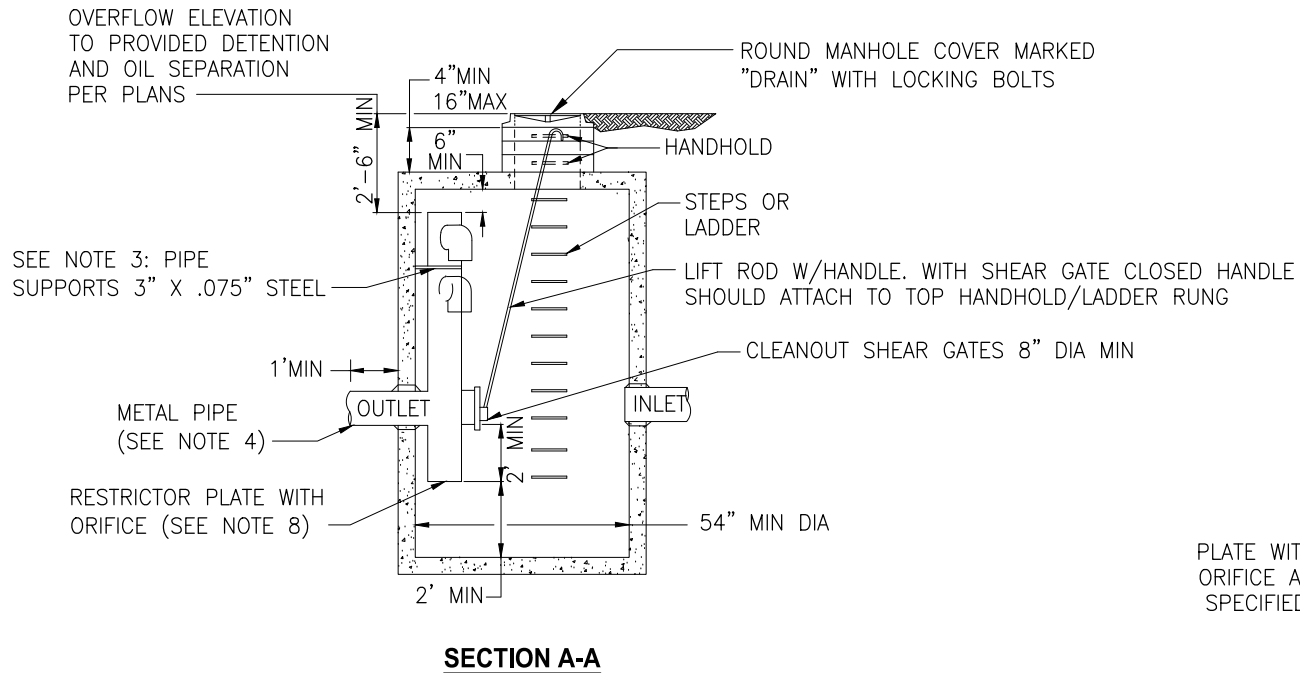
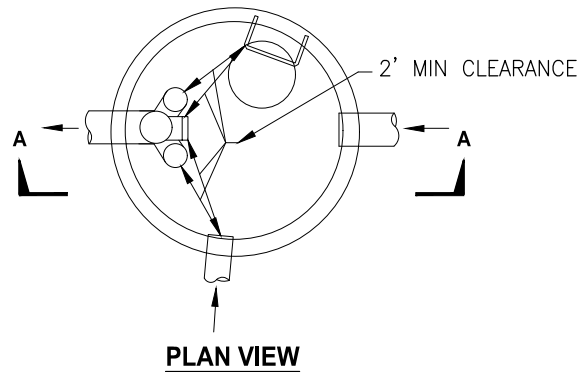


**NOTES:**

1. SEE STANDARD DRAWING DM.B1.3 FOR NOTES.
2. NO GALVANIZED MATERIAL ALLOWED.



NOT TO SCALE



**CITY OF DES MOINES  
PUBLIC WORKS DEPARTMENT**

ENGINEERING SERVICES  
21650 11TH AVENUE SOUTH  
DES MOINES, IA 50319



**FLOW RESTRICTOR/OIL POLLUTION CONTROL  
T-RESTRICTOR**

**DM.B1.2**

REVISED: 02/23